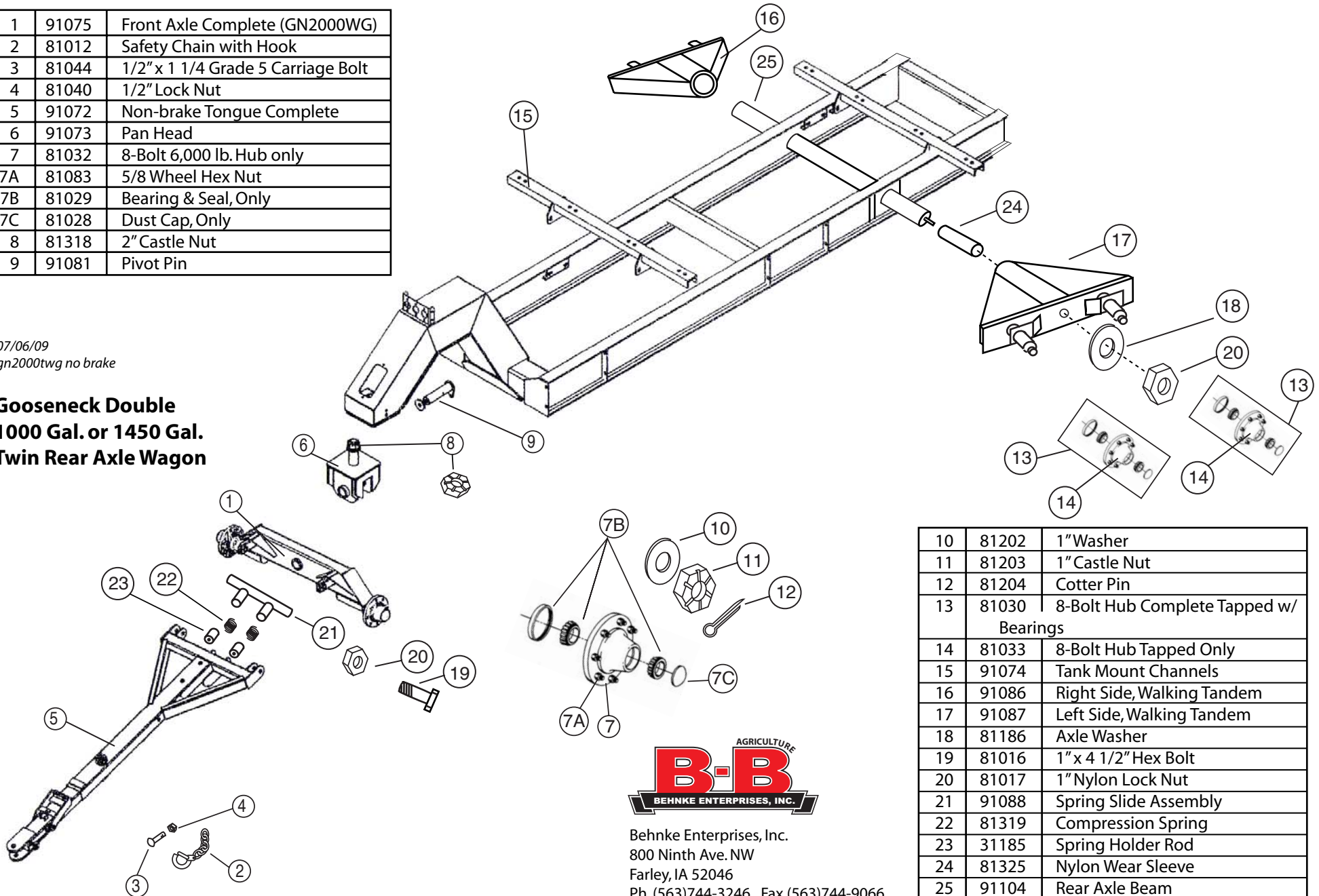


# GN2000TWG--No Brakes

1	91075	Front Axle Complete (GN2000WG)
2	81012	Safety Chain with Hook
3	81044	1/2" x 1 1/4 Grade 5 Carriage Bolt
4	81040	1/2" Lock Nut
5	91072	Non-brake Tongue Complete
6	91073	Pan Head
7	81032	8-Bolt 6,000 lb. Hub only
7A	81083	5/8 Wheel Hex Nut
7B	81029	Bearing & Seal, Only
7C	81028	Dust Cap, Only
8	81318	2" Castle Nut
9	91081	Pivot Pin

07/06/09  
gn2000twg no brake

## Gooseneck Double 1000 Gal. or 1450 Gal. Twin Rear Axle Wagon



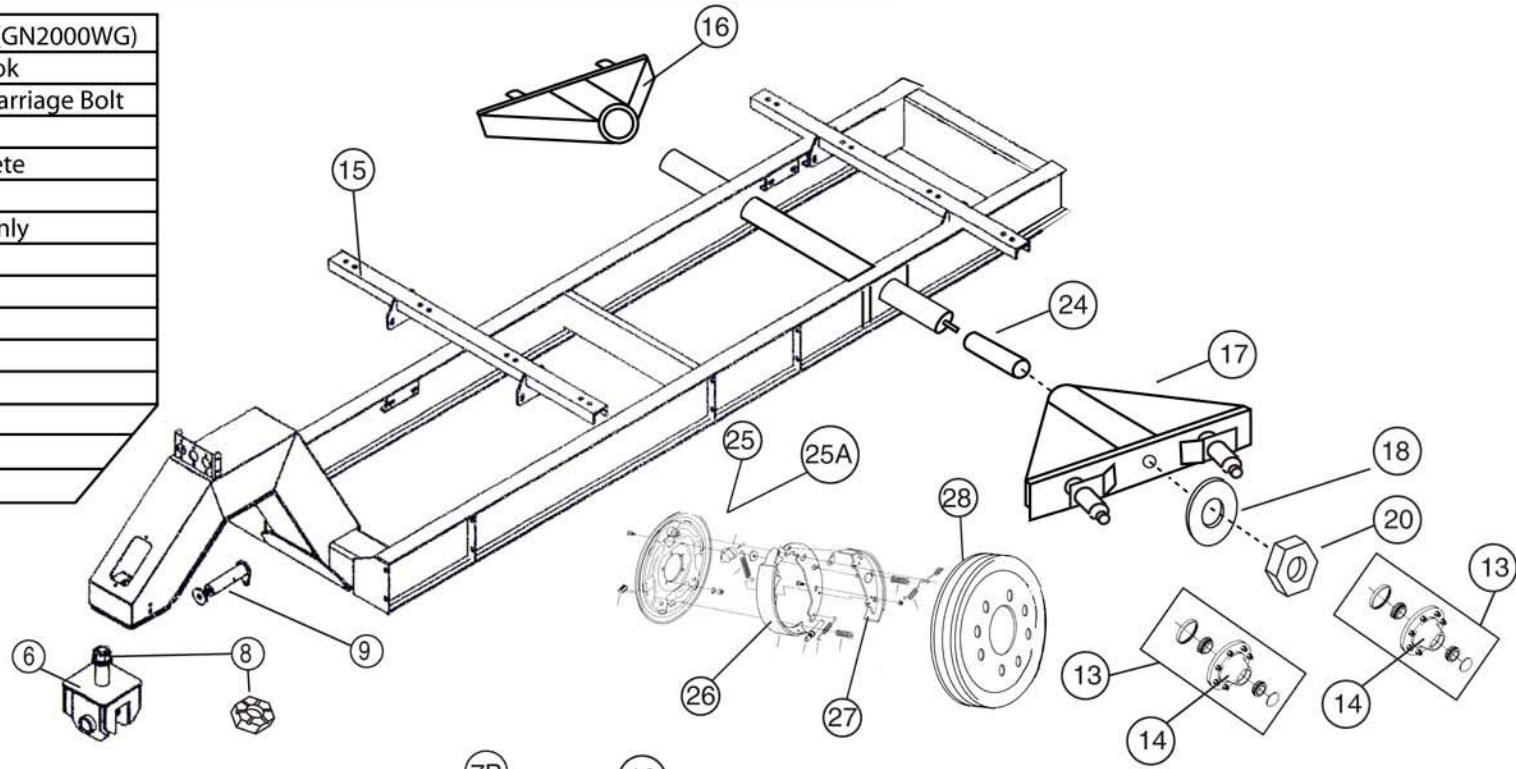
10	81202	1" Washer
11	81203	1" Castle Nut
12	81204	Cotter Pin
13	81030	8-Bolt Hub Complete Tapped w/ Bearings
14	81033	8-Bolt Hub Tapped Only
15	91074	Tank Mount Channels
16	91086	Right Side, Walking Tandem
17	91087	Left Side, Walking Tandem
18	81186	Axle Washer
19	81016	1" x 4 1/2" Hex Bolt
20	81017	1" Nylon Lock Nut
21	91088	Spring Slide Assembly
22	81319	Compression Spring
23	31185	Spring Holder Rod
24	81325	Nylon Wear Sleeve
25	91104	Rear Axle Beam



Behnke Enterprises, Inc.  
800 Ninth Ave. NW  
Farley, IA 52046  
Ph. (563)744-3246 Fax (563)744-9066

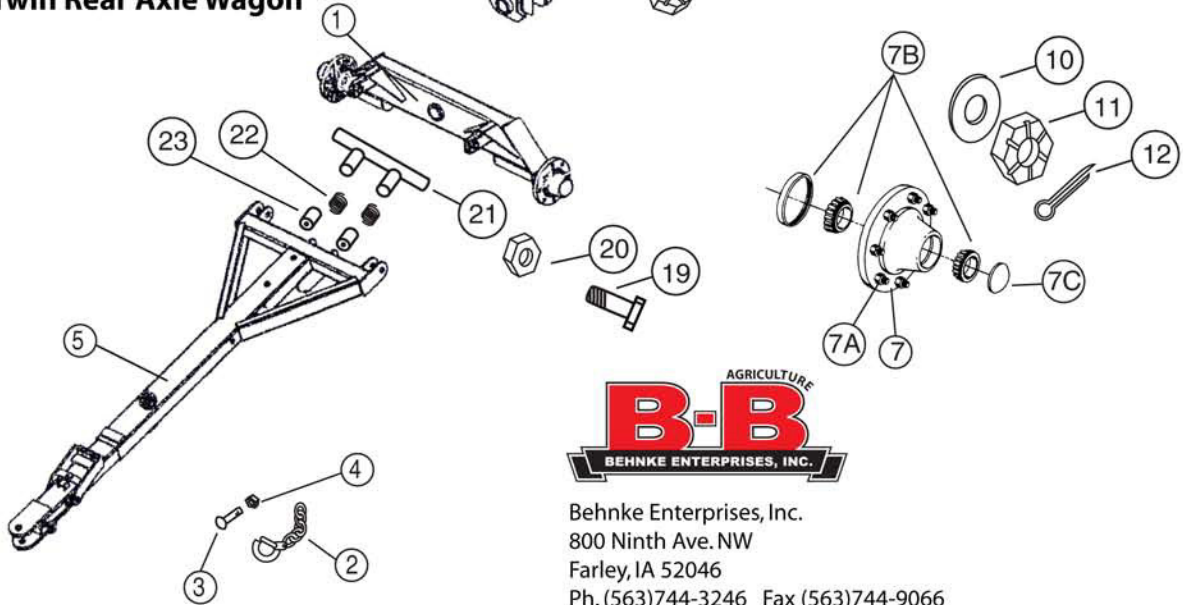
# GN2000TWG--One Axle Brake

1	91075	Front Axle Complete (GN2000WG)
2	81012	Safety Chain with Hook
3	81044	1/2" x 1 1/4 Grade 5 Carriage Bolt
4	81040	1/2" Lock Nut
5	91071	Brake Tongue Complete
6	91073	Pan Head
7	81032	8-Bolt 6,000 lb. Hub only
7A	81083	5/8 Wheel Hex Nut
7B	81029	Bearing & Seal, Only
7C	81028	Dust Cap, Only
8	81318	2" Castle Nut
9	91081	Pivot Pin
10	81202	1" Washer
11	81203	1" Castle Nut
12	81204	Cotter Pin



07/06/09  
gn2000twg one axle brake

**Gooseneck Double  
1000 Gal. or 1450 Gal.  
Twin Rear Axle Wagon**

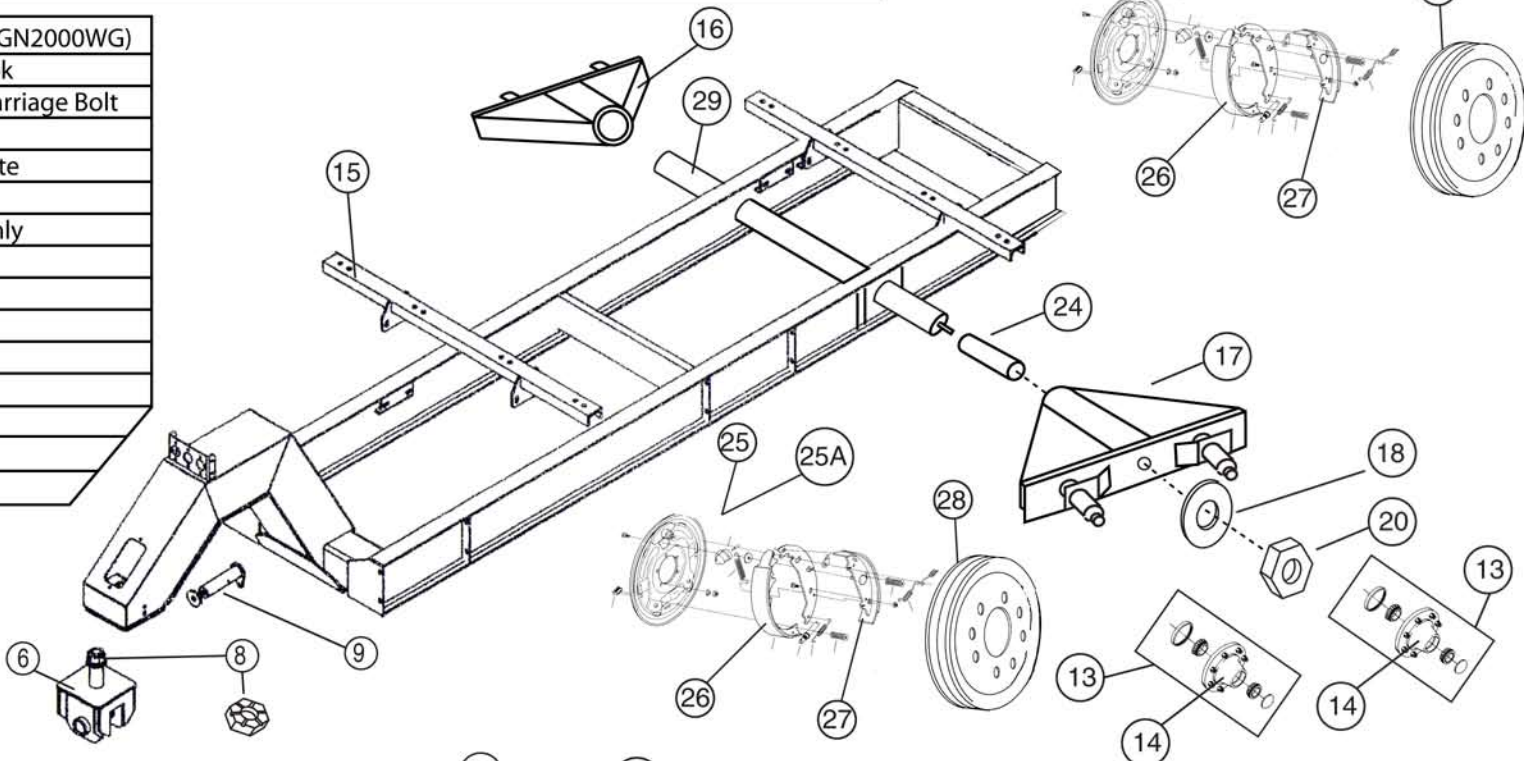


Behnke Enterprises, Inc.  
800 Ninth Ave. NW  
Farley, IA 52046  
Ph. (563)744-3246 Fax (563)744-9066

13	81030	8-Bolt Hub Complete Tapped w/ Bearings
14	81033	8-Bolt Hub Tapped Only
15	91074	Tank Mount Channels
16	91086	Right Side, Walking Tandem
17	91087	Left Side, Walking Tandem
18	81186	Axle Washer
19	81016	1" x 4 1/2" Hex Bolt
20	81017	1" Nylon Lock Nut
21	91088	Spring Slide Assembly
22	81319	Compression Spring
23	31185	Spring Holder Rod
24	81325	Nylon Wear Sleeve
25	81102	13" Backing Plate RH
25A	81136	13" Backing Plate LH
26	81142	Front Shoe
27	81143	Back Shoe
28	81101	13" Brake Drum

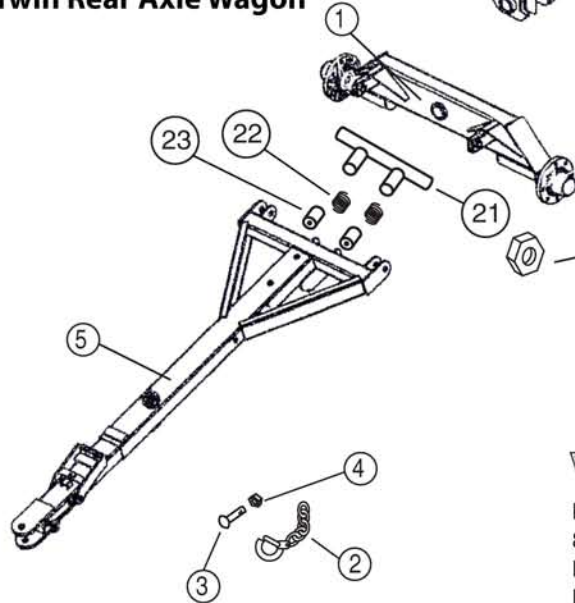
# GN2000TWG--Two Axle Brake

1	91075	Front Axle Complete (GN2000WG)
2	81012	Safety Chain with Hook
3	81044	1/2" x 1 1/4 Grade 5 Carriage Bolt
4	81040	1/2" Lock Nut
5	91071	Brake Tongue Complete
6	91073	Pan Head
7	81032	8-Bolt 6,000 lb. Hub only
7A	81083	5/8 Wheel Hex Nut
7B	81029	Bearing & Seal, Only
7C	81028	Dust Cap, Only
8	81318	2" Castle Nut
9	91081	Pivot Pin
10	81202	1" Washer
11	81203	1" Castle Nut
12	81204	Cotter Pin



08/11/10  
gn2000twg two axle brake

## Gooseneck Double 1000 Gal. or 1450 Gal. Twin Rear Axle Wagon



Behnke Enterprises, Inc.  
800 Ninth Ave. NW  
Farley, IA 52046  
Ph. (563)744-3246 Fax (563)744-9066

13	81030	8-Bolt Hub Complete Tapped w/ Bearings
14	81033	8-Bolt Hub Tapped Only
15	91074	Tank Mount Channels
16	91086	Right Side, Walking Tandem
17	91087	Left Side, Walking Tandem
18	81186	Axle Washer
19	81016	1" x 4 1/2" Hex Bolt
20	81017	1" Nylon Lock Nut
21	91088	Spring Slide Assembly
22	81319	Compression Spring
23	31185	Spring Holder Rod
24	81325	Nylon Wear Sleeve
25	81102	13" Backing Plate RH
25A	81136	13" Backing Plate LH
26	81142	Front Shoe
27	81143	Back Shoe
28	81101	13" Brake Drum
29	91104	Rear Axle Beam